



communications

Scheduling Of A Diverse Interoperable Satellite Network

Presentation Overview



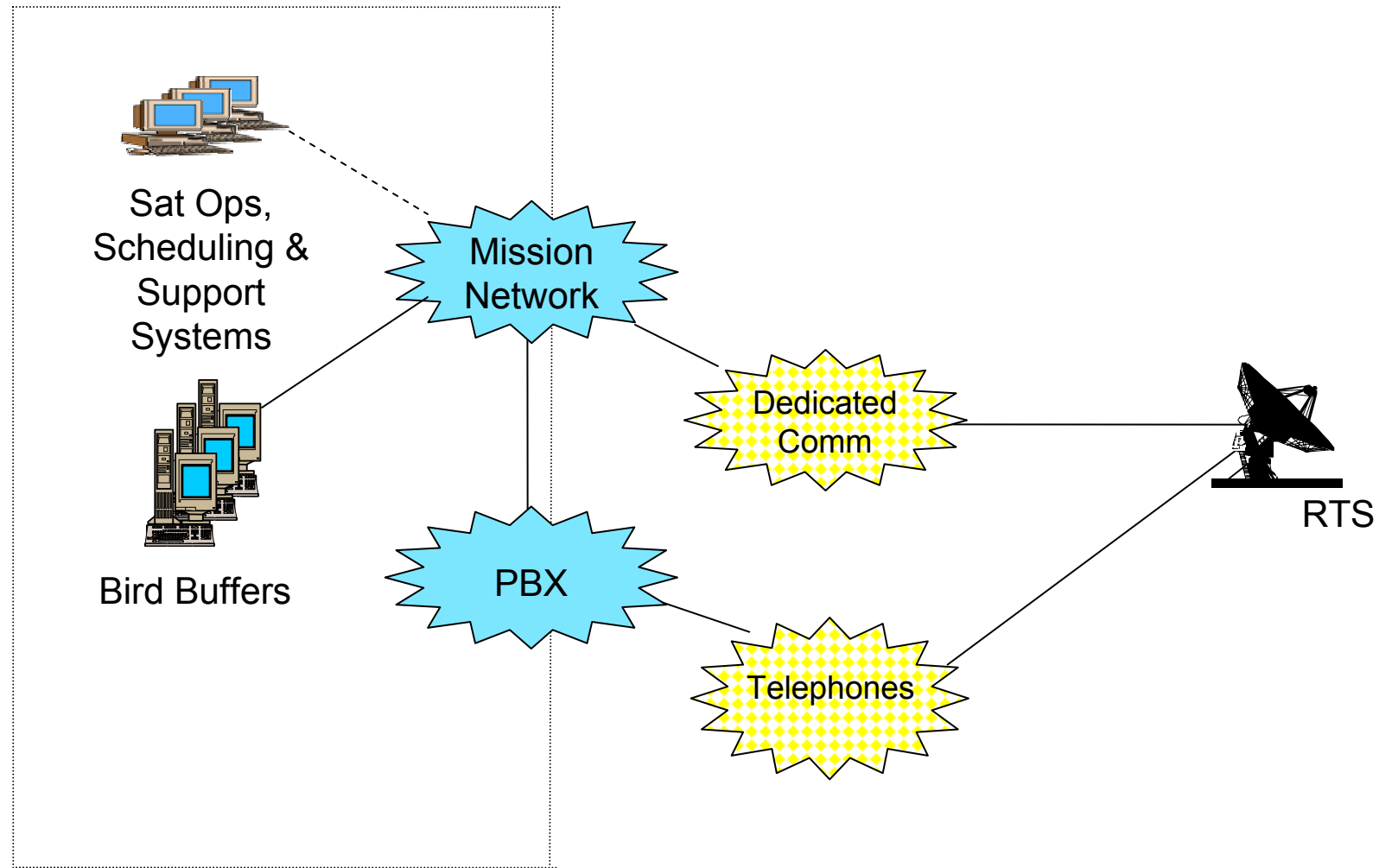
communications

- **Original Government Satellite Control Network (Fixed Sites)**
 - A dedicated system with few assets to schedule
- **Early and Current Network (Fixed Sites)**
 - Increase in satellite customers, and more RGFs
- **An Integrated Satellite Network (Fixed Sites)**
 - Growth in customers, RGFs, and network assets
- **Federation of Non-Fixed Assets**
 - Network centric, scaleable, and transportable system

Original Government Satellite Control Network



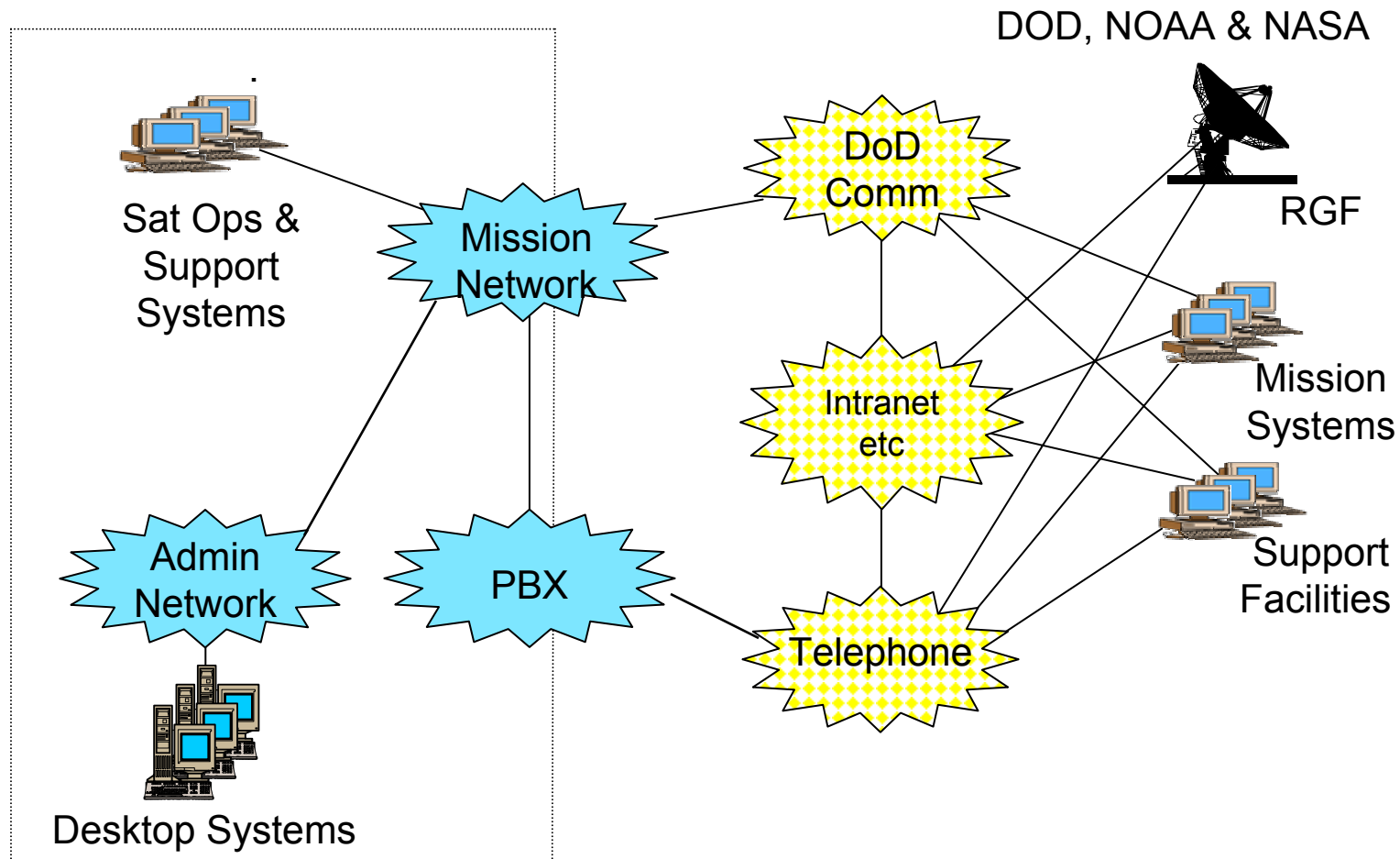
communications



EARLY and Current SCN



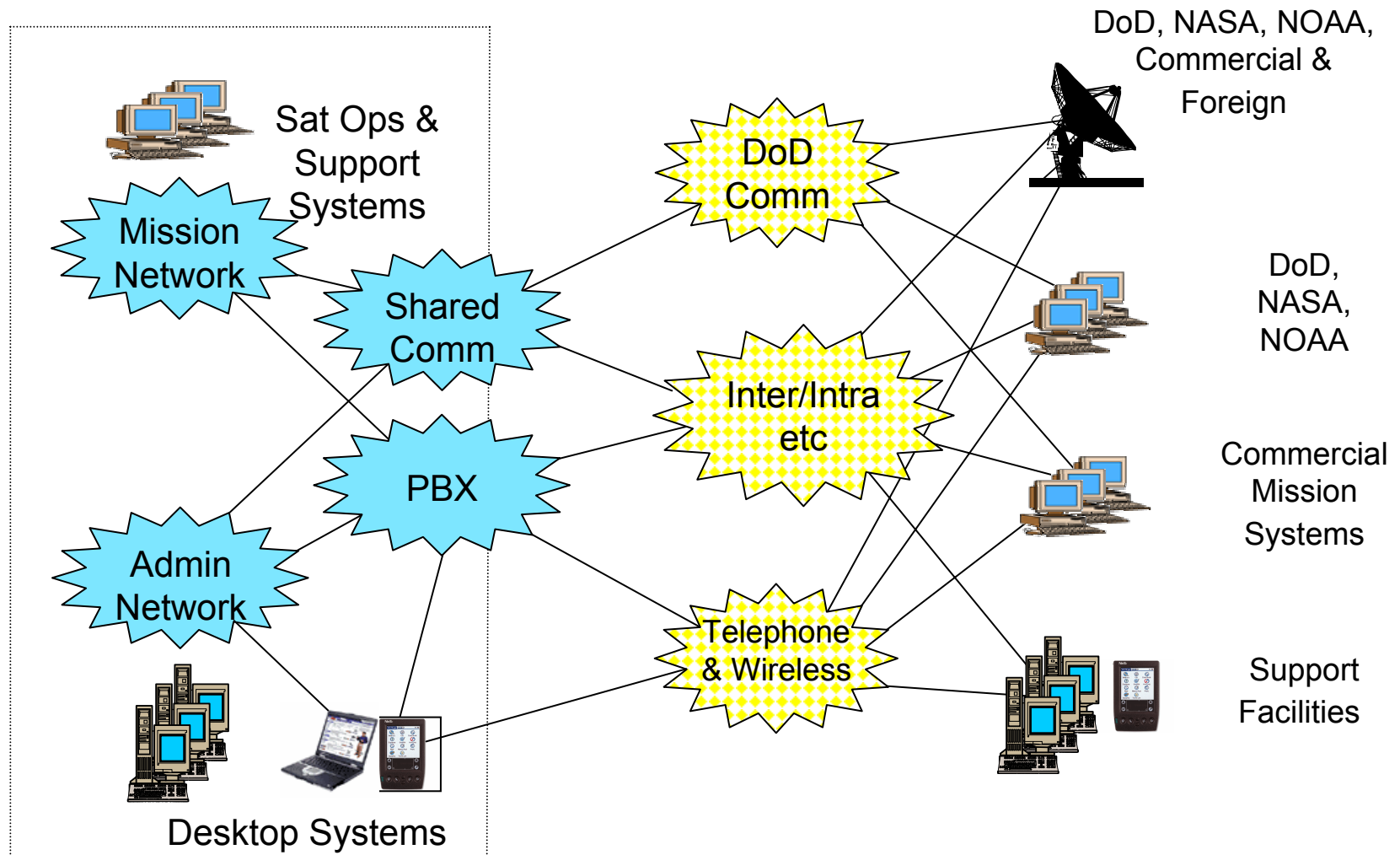
communications



Integrated Satellite Control Network



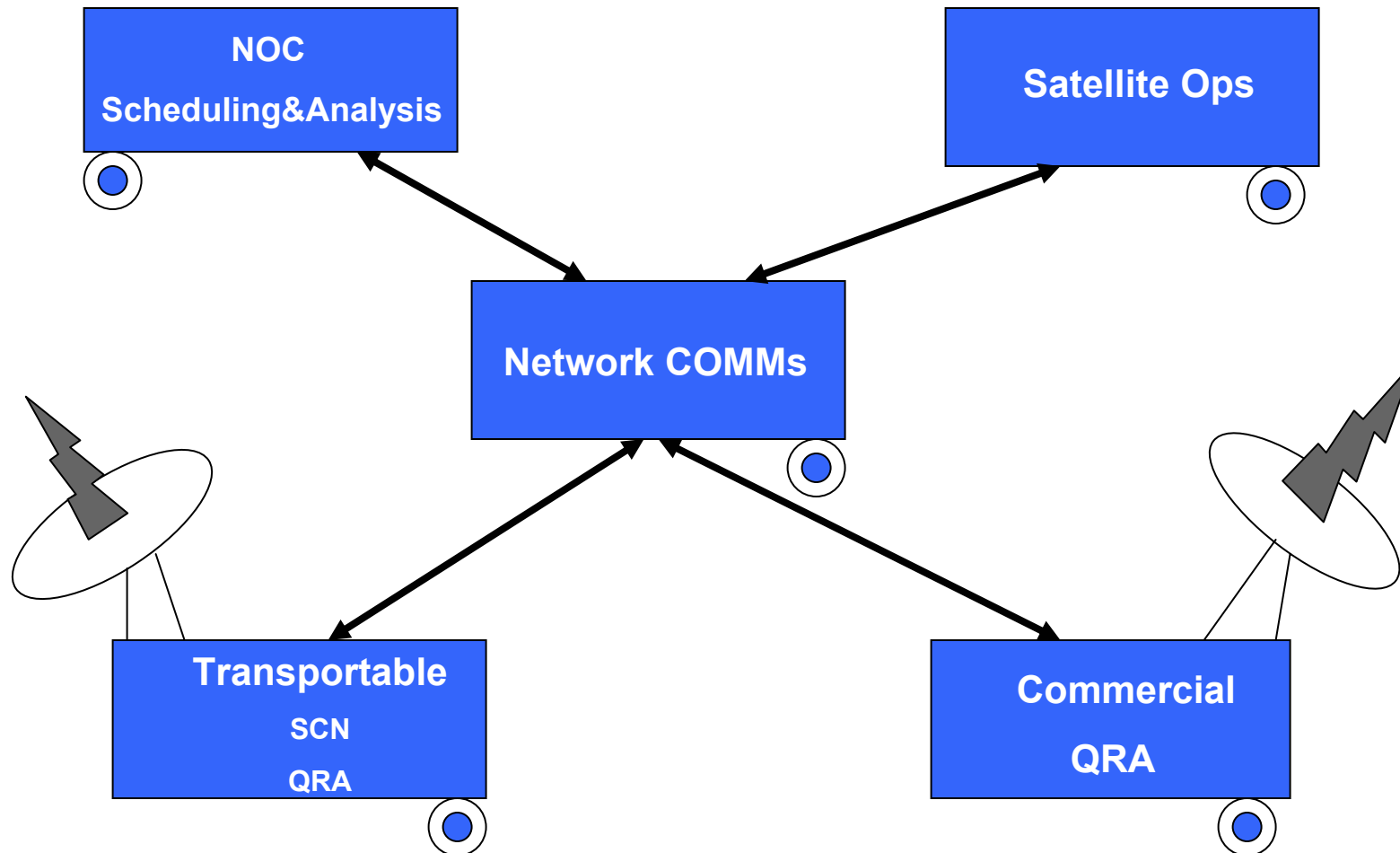
communications



FEDERATION OF MOBILE ASSESTS (Notional)



communications



SUMMARY



communications

Major government and commercial satellite control and scheduling systems reside in fixed facilities which may be easily targeted by terrorist activities.

As these resources have grown in capabilities, they have also grown in importance, and in reliance on a local facility support concept.

Demands for increased support to the “user” community warrants a more robust and attack survivable network to contend with present and future hostile activities.

Goals must be accomplished with out loss of resource management and scheduling across a diverse network.